

# ROVER PIPELINE PROJECT

## PROPOSED 42" O.D. MARKET SEGMENT - NG PIPELINE

### DEFIANCE COUNTY, OHIO TO LIVINGSTON, MICHIGAN

## CONSTRUCTION SPREADS 7-8



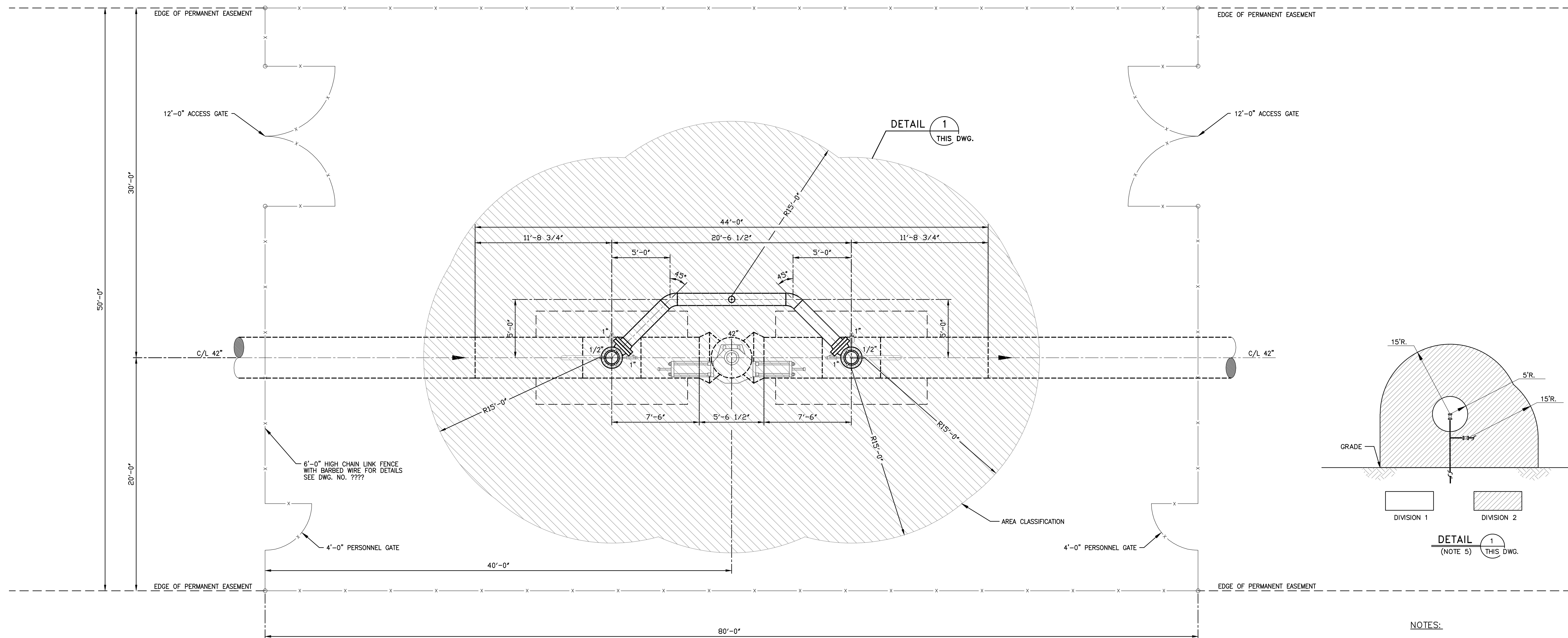
DWG. NO.	REFERENCE DRAWING TITLE	NO.	REVISION - DESCRIPTION	BY	DATE	CHK'D	APP'D	DWG. STATUS	CHECKED	APPROVED	P.L./STA. NO.	PROJECT NO.
								PREL.Y	BY	DATE	BY	
								BID			DESIGN	PREVIOUS DWG. NO.
								CONSTR.			DRAWN	1 OF 1
								CADDS			ASBUILT	DWG. NO.
											FILE NO.	MK-P0-0
											SCALE:	1 OF 1



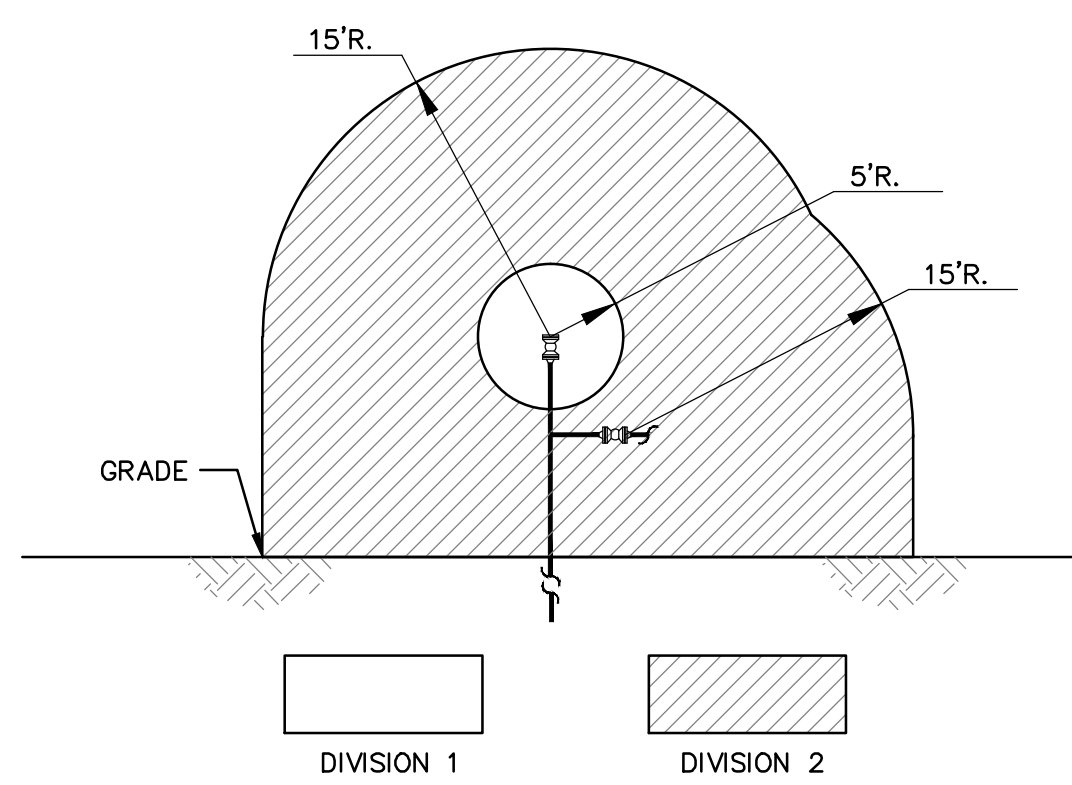
ROVER PIPELINE PROJECT  
 42" MARKET SEGMENT - NG PIPELINE  
 COVER SHEET  
 M.P. 0 TO M.P. 100.0  
 DEFIANCE, OHIO TO LIVINGSTON, MICHIGAN







**PLOT PLAN**  
SCALE 1/4"=1'-0"



**DETAIL 1**  
(NOTE 5) THIS DWG.

- NOTES:**
1. MAOP = 1440 PSIG
  2. DESIGN FACTOR = 0.5
  3. DESIGN TEMPERATURE = -34° F TO 120° F
  4. DESIGN CODE = ANSI/ASME B31.8
  5. AREA CLASSIFICATION DETERMINED USING AGA CATALOG # XL1001 FIG. 13 FOR NATURAL GAS.

DWG. NO.	REFERENCE DRAWING TITLE	NO.	REVISION - DESCRIPTION	BY	DATE	CHK'D	APP'D	DWG. STATUS	CHECKED			APPROVED			P.L./STA. NO. ACCOUNT NO.		
									BY	DATE	BY	DATE	BY	DATE	CONSTRUCTION YEAR	BY	DATE
		F	FERC FILING	AEN	1-15-15	CRF	JHR	PREL'Y									2016
		E	ISSUED FOR PROJECT USE	GJB	12-08-14	CRF	JHR	BID									
		D	PRELIMINARY, FOR REVIEW	GJB	11-25-14	CRF	JHR	CONSTR.									
		C	PRELIMINARY, FOR REVIEW	GJB	11-21-14	CRF	JHR	CADDS									
		B	FERC DRAFT FILING	DJD	11-5-14	CRF	JHR										
		A	PRELIMINARY, FOR REVIEW	DJD	10-20-14	CRF	JHR										



**ROVER PIPELINE PROJECT**  
**42" MAIN LINE VALVE**  
**MARKET ROUTE**  
**TYPICAL PLOT PLAN**  
**COUNTY, STATE**

PROJECT NO.
PREVIOUS DWG. NO.
SHEET 1 OF 1
DWG. NO.
<b>42-1 PLOT PLAN A/F</b>
SHEET 1 OF 1

01-15-15 13:21 14:38 12 ADM