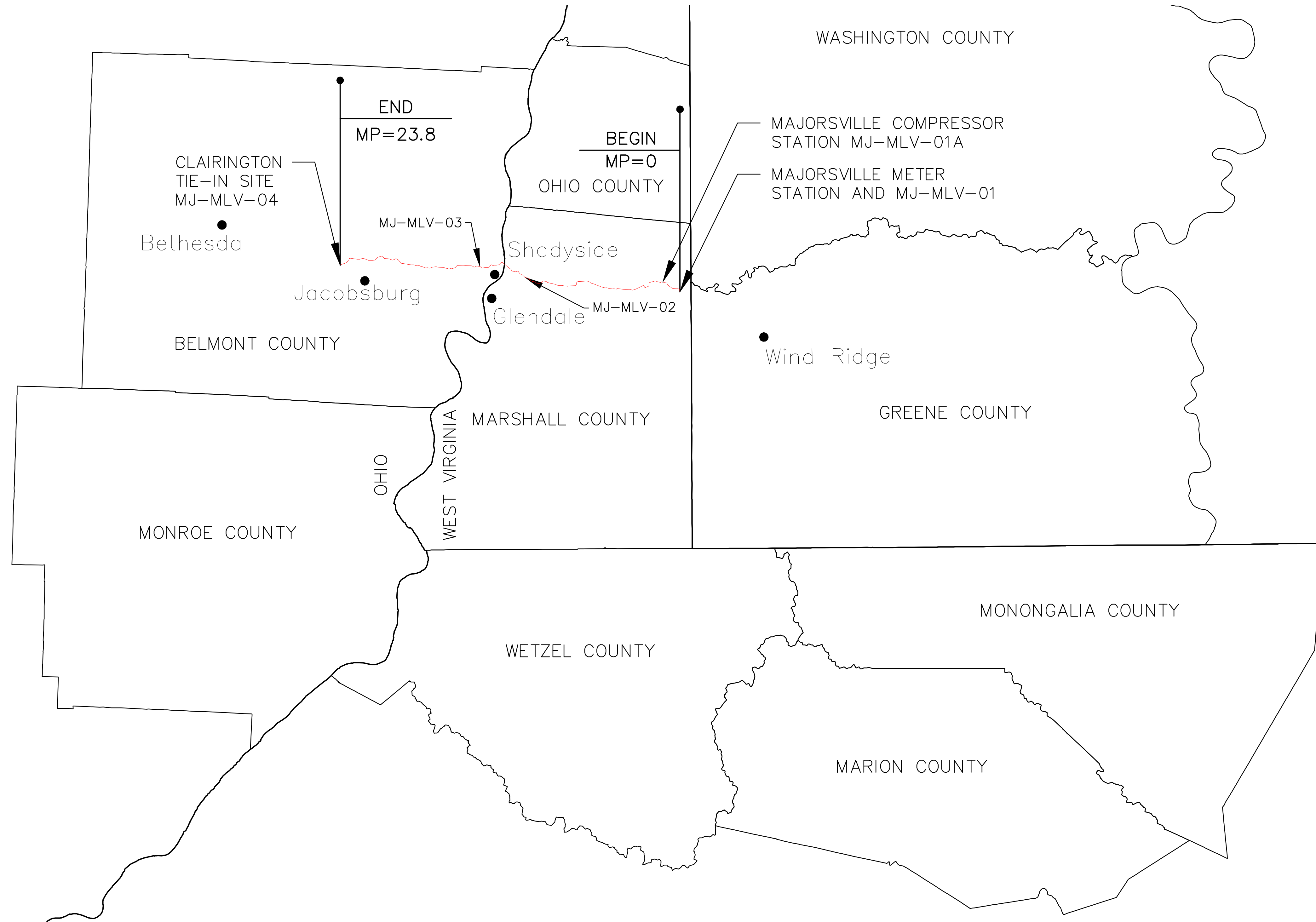



ROVER PIPELINE PROJECT

PROPOSED 24" O.D. MAJORSVILLE LATERAL - NG PIPELINE

MARSHALL COUNTY, WEST VIRGINIA TO BELMONT COUNTY, OHIO



DWG. NO.	REFERENCE DRAWING TITLE	NO.	REVISION - DESCRIPTION	BY	DATE	CHK'D	APP'D	CADD	PLOT DATE:	FILE NAME:	SCALE:	 ROVER PIPELINE An ENERGY TRANSFER Company	ROVER PIPELINE PROJECT 24" MAJORSVILLE LATERAL - NG PIPELINE COVER SHEET M.P. 0 TO M.P. 23.8 MARSHALL COUNTY, WEST VIRGINIA TO BELMONT COUNTY, OHIO	PROJECT NO. 585000000021
														PREVIOUS DWG. NO.
														SHEET 1 OF 1
														DWG. NO. MJ-P0-0
														SHEET 1 OF 1

5 RBR 14138/MSC 05-20-15 14:04

GENERAL DRAWINGS

DRAWING NUMBER	DRAWING TITLE	REVISION
MJ-P0-0	COVER SHEET	
MJ-P1-0	DRAWING INDEX	
P2-10	NOTES AND LEGEND	
24-PLOT PLAN	24" MAINLINE VALVE TYPICAL PLOT PLAN	

ALIGNMENT

DRAWING NUMBER	DRAWING TITLE	REVISION
MJ-P3-1001	ALIGNMENT - MP 0.0 TO MP 1.1	
MJ-P3-1002	ALIGNMENT - MP 1.1 TO MP 1.8	
MJ-P3-1003	ALIGNMENT - MP 1.8 TO MP 2.8	
MJ-P3-1004	ALIGNMENT - MP 2.8 TO MP 3.7	
MJ-P3-1005	ALIGNMENT - MP 3.7 TO MP 4.7	
MJ-P3-1006	ALIGNMENT - MP 4.7 TO MP 5.6	
MJ-P3-1007	ALIGNMENT - MP 5.6 TO MP 6.6	
MJ-P3-1008	ALIGNMENT - MP 6.6 TO MP 7.5	
MJ-P3-1009	ALIGNMENT - MP 7.5 TO MP 8.4	
MJ-P3-1010	ALIGNMENT - MP 8.4 TO MP 9.4	
MJ-P3-1011	ALIGNMENT - MP 9.4 TO MP 10.3	
MJ-P3-1012	ALIGNMENT - MP 10.3 TO MP 11.1	
MJ-P3-1013	ALIGNMENT - MP 11.1 TO MP 12.1	
MJ-P3-1014	ALIGNMENT - MP 12.1 TO MP 12.9	
MJ-P3-1015	ALIGNMENT - MP 12.9 TO MP 13.9	
MJ-P3-1016	ALIGNMENT - MP 13.9 TO MP 14.8	
MJ-P3-1017	ALIGNMENT - MP 14.8 TO MP 15.8	
MJ-P3-1018	ALIGNMENT - MP 15.8 TO MP 16.7	
MJ-P3-1019	ALIGNMENT - MP 16.7 TO MP 17.7	
MJ-P3-1020	ALIGNMENT - MP 17.7 TO MP 18.6	
MJ-P3-1021	ALIGNMENT - MP 18.6 TO MP 19.5	
MJ-P3-1022	ALIGNMENT - MP 19.5 TO MP 20.4	
MJ-P3-1023	ALIGNMENT - MP 20.4 TO MP 21.3	
MJ-P3-1024	ALIGNMENT - MP 21.3 TO MP 22.3	
MJ-P3-1025	ALIGNMENT - MP 22.3 TO MP 22.8	
MJ-P3-1026	ALIGNMENT - MP 22.8 TO MP 23.5	

HORIZONTAL DIRECTIONAL DRILLS

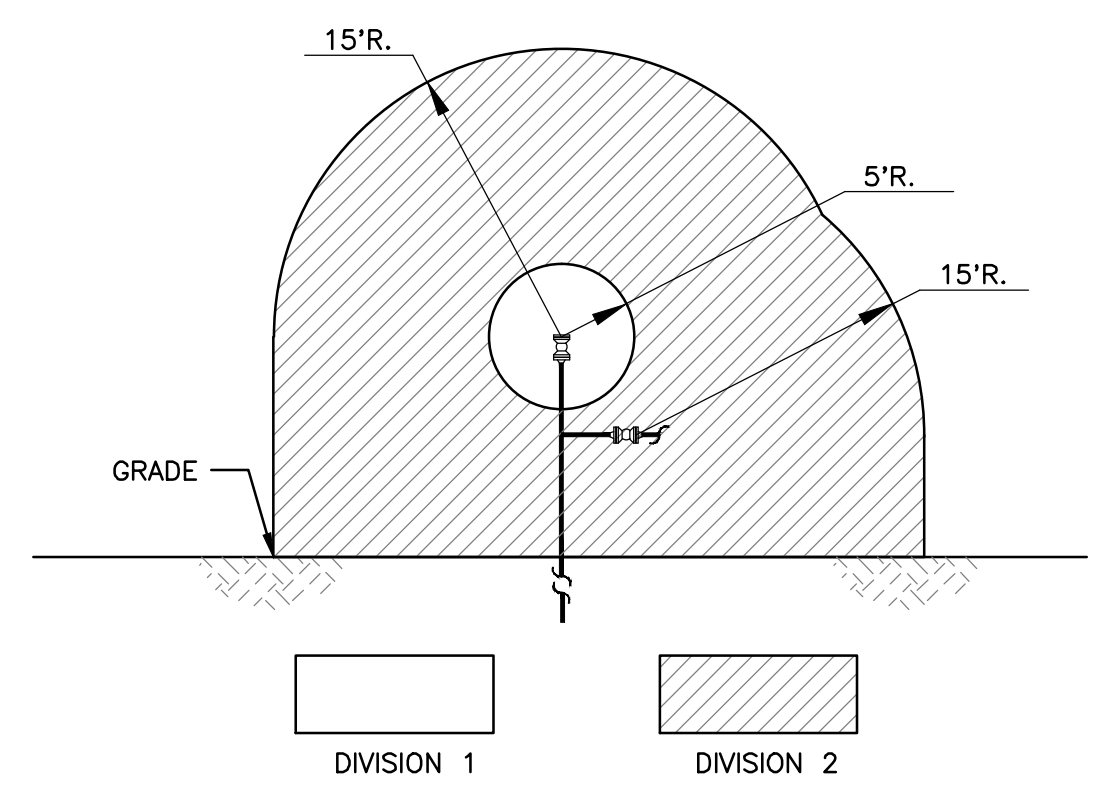
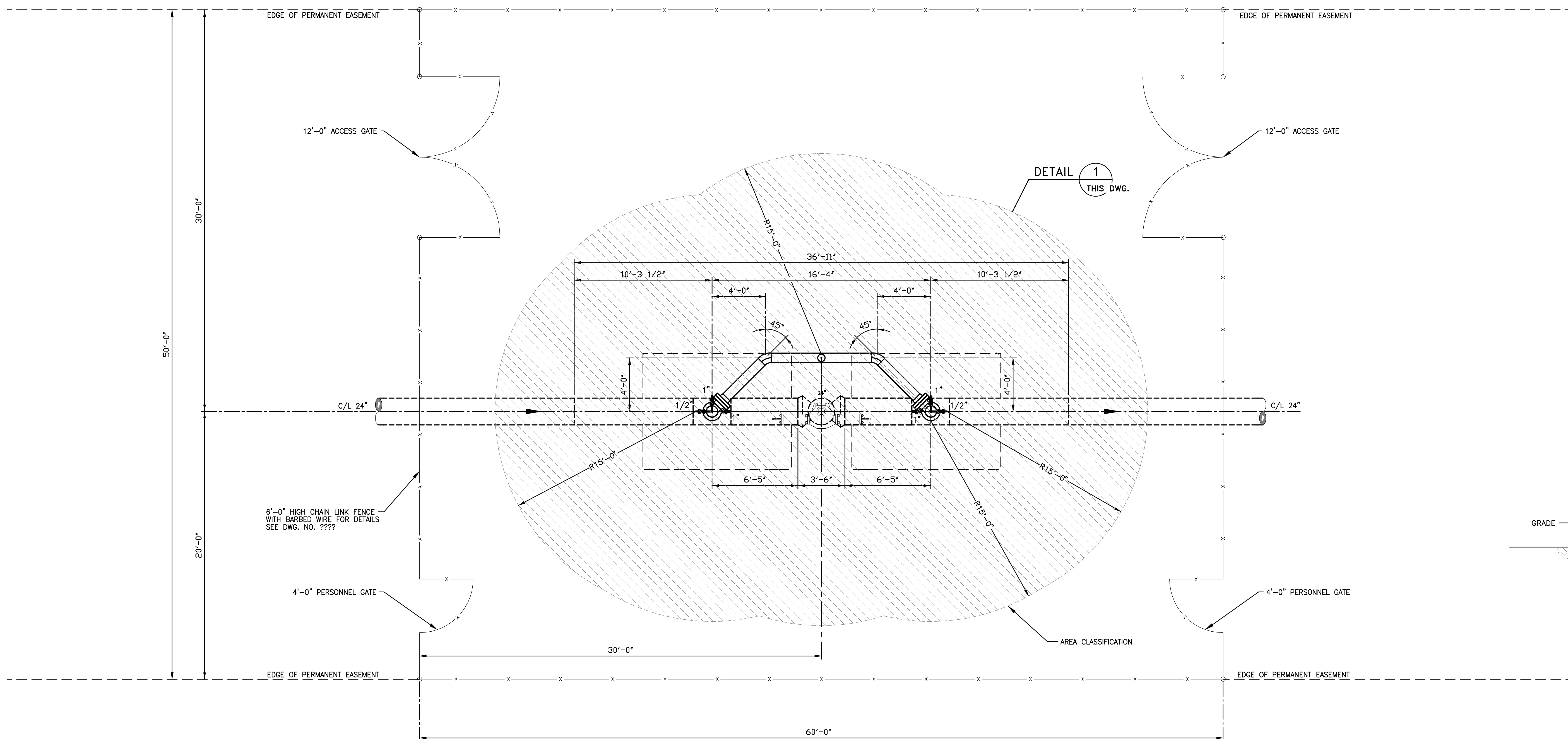
DRAWING NUMBER	DRAWING TITLE	REVISION
MJ-P4-46	HDD - OHIO RIVER (MP 12.0)	

DWG. NO.	REFERENCE DRAWING TITLE	NO.	REVISION - DESCRIPTION	BY	DATE	CHK'D	APP'D
		D	FERC FILING UPDATE	PGP	6-24-15	JHR	JHR
		C	FERC FILING UPDATE	JEK	6-03-15	JHR	JHR
		B	FERC FILING UPDATE	CJD	4-15-15	JHR	JHR
		A	FERC FILING	JRM	1-15-15	JHR	JHR

DWG. STATUS	CHECKED		APPROVED			P.L./STA. NO. ACCOUNT NO.
	BY	DATE	BY	DATE	BY	
PREL'Y						
BID						
CONSTR.						
CADDS						

ROVER PIPELINE PROJECT
 24" MAJORSVILLE LATERAL - NG PIPELINE
 DRAWING INDEX
 MP 0.0 TO MP 23.8
 MARSHALL, WEST VIRGINIA TO BEMONT, OHIO

PROJECT NO.	585000000021
PREVIOUS DWG. NO.	
SHEET 1 OF 1	
DWG. NO.	MJ-P1-0
SHEET OF 1	

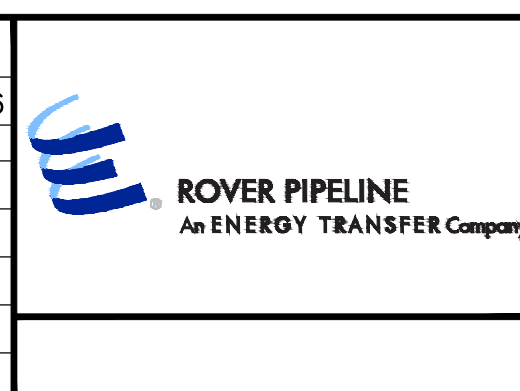


DETAIL 1
(NOTE 5) THIS DWG.

PLOT PLAN
SCALE 1/4"=1'-0"

- NOTES:
1. MAOP = 1440 PSIG
 2. DESIGN FACTOR = 0.5
 3. DESIGN TEMPERATURE = -34° F TO 120° F
 4. DESIGN CODE = ANSI/ASME B31.8
 5. AREA CLASSIFICATION DETERMINED USING AGA CATALOG # XL1001 FIG. 13 FOR NATURAL GAS.

DWG. NO.	REFERENCE DRAWING TITLE	NO.	REVISION - DESCRIPTION	BY	DATE	CHK'D	APP'D	CADD	PLOT DATE:	FILE NAME:	SCALE: AS NOTED	F.I./STA. NO. ACCOUNT NO.	CONSTRUCTION YEAR			2016
													BY	DATE	BY	
		E	FERC FILING	NLM	1-15-15	CRF	JHR									
		D	ISSUED FOR PROJECT USE	GJB	12-08-14	CRF	JHR									
		C	PRELIMINARY, FOR REVIEW	GJB	11-21-14	CRF	JHR									
		B	FERC DRAFT FILING	DJD	11-5-14	CRF	JHR									
		A	PRELIMINARY, FOR REVIEW	DJD	10-20-14	CRF	JHR									



ROVER PIPELINE PROJECT
24" MAIN LINE VALVE
TYPICAL PLOT PLAN
COUNTY, STATE

PROJECT NO. _____
PREVIOUS DWG. NO. _____
SHEET 1 OF 1
DWG. NO. 24-PLOT PLAN
SHEET 1 OF 1

01-20-15 17:42 14138 12 NLM