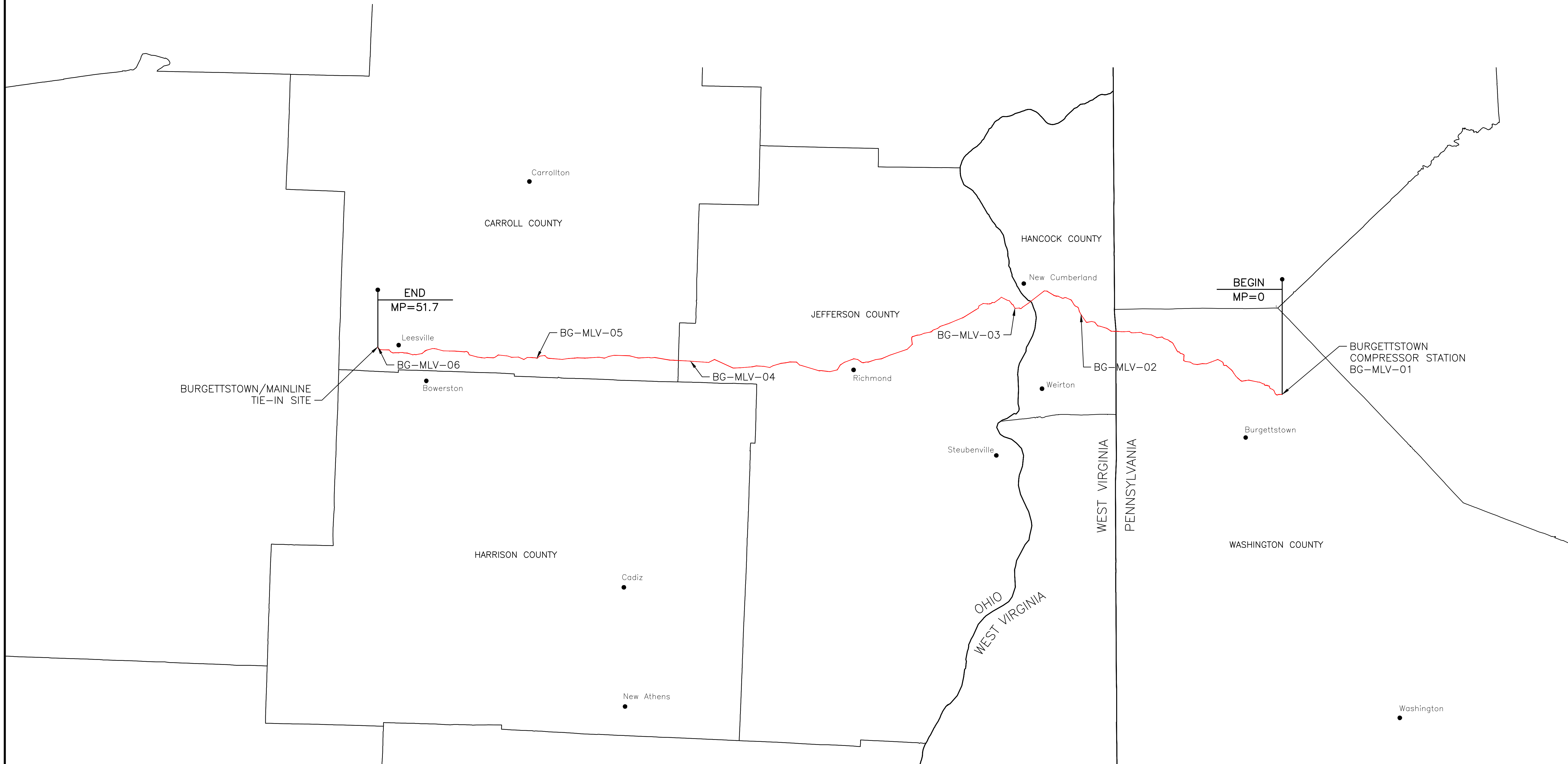


ROVER PIPELINE PROJECT

PROPOSED 36" O.D. BURGETTSTOWN LATERAL - NG PIPELINE

WASHINGTON COUNTY, PENNSYLVANIA TO CARROLL COUNTY, OHIO



DWG. NO.	REFERENCE DRAWING TITLE	NO.	REVISION - DESCRIPTION	BY	DATE	CHK'D	APP'D	DWG. STATUS	CHECKED				APPROVED				P.L./STA. NO.		PROJECT NO.	58500000004
									BY	DATE	BY	DATE	BY	DATE	BY	DATE	CONSTRUCTION YEAR	BY		
								PREL.Y											SHEET 1 OF 1	
								BID											DWG. NO.	
								CONSTR.											BG-P0-0	
								CADD	PLOT DATE:	FILE NAME:	SCALE:								SHEET 1 OF 1	



ROVER PIPELINE PROJECT
 36" BURGETTSTOWN LATERAL - NG PIPELINE
 COVER SHEET
 M.P. 0 TO M.P. 51.7
 WASHINGTON, PENNSYLVANIA TO CARROLL, OHIO

6 RBR 14138/MSC 05-20-15 14:31

GENERAL DRAWINGS

DRAWING NUMBER	DRAWING TITLE	REVISION
BG-P0-0	COVER SHEET	B
BG-P1-0	DRAWING INDEX	D
P2-10	NOTES AND LEGEND	A
36-PLOT PLAN	36" MAINLINE VALVE TYPICAL PLOT PLAN	E

ALIGNMENT


DRAWING NUMBER	DRAWING TITLE	REVISION
BG-P3-1001	ALIGNMENT - MP 0.0 TO MP 0.9	C
BG-P3-1002	ALIGNMENT - MP 0.9 TO MP 1.9	C
BG-P3-1003	ALIGNMENT - MP 1.9 TO MP 2.8	B
BG-P3-1004	ALIGNMENT - MP 2.8 TO MP 3.8	B
BG-P3-1005	ALIGNMENT - MP 3.8 TO MP 4.8	C
BG-P3-1006	ALIGNMENT - MP 4.8 TO MP 5.7	C
BG-P3-1007	ALIGNMENT - MP 5.7 TO MP 6.6	C
BG-P3-1008	ALIGNMENT - MP 6.6 TO MP 7.6	B
BG-P3-1009	ALIGNMENT - MP 7.6 TO MP 8.5	C
BG-P3-1010	ALIGNMENT - MP 8.5 TO MP 9.5	C
BG-P3-1011	ALIGNMENT - MP 9.5 TO MP 10.4	C
BG-P3-1012	ALIGNMENT - MP 10.4 TO MP 11.4	D
BG-P3-1013	ALIGNMENT - MP 11.4 TO MP 12.3	C
BG-P3-1014	ALIGNMENT - MP 12.3 TO MP 13.2	C
BG-P3-1015	ALIGNMENT - MP 13.2 TO MP 14.2	B
BG-P3-1016	ALIGNMENT - MP 14.2 TO MP 15.1	C
BG-P3-1017	ALIGNMENT - MP 15.1 TO MP 16.1	B
BG-P3-1018	ALIGNMENT - MP 16.1 TO MP 16.6	C
BG-P3-1019	ALIGNMENT - MP 16.6 TO MP 17.5	C
BG-P3-1020	ALIGNMENT - MP 17.5 TO MP 18.4	C
BG-P3-1021	ALIGNMENT - MP 18.4 TO MP 19.4	C
BG-P3-1022	ALIGNMENT - MP 19.4 TO MP 20.4	C
BG-P3-1023	ALIGNMENT - MP 20.4 TO MP 21.4	C
BG-P3-1024	ALIGNMENT - MP 21.4 TO MP 22.3	B
BG-P3-1025	ALIGNMENT - MP 22.3 TO MP 23.3	C
BG-P3-1026	ALIGNMENT - MP 23.3 TO MP 24.3	C
BG-P3-1027	ALIGNMENT - MP 24.3 TO MP 25.2	C
BG-P3-1028	ALIGNMENT - MP 25.2 TO MP 26.2	D
BG-P3-1029	ALIGNMENT - MP 26.2 TO MP 27.0	C
BG-P3-1030	ALIGNMENT - MP 27.0 TO MP 28.0	C
BG-P3-1031	ALIGNMENT - MP 28.0 TO MP 29.0	C
BG-P3-1032	ALIGNMENT - MP 29.0 TO MP 29.9	C
BG-P3-1033	ALIGNMENT - MP 29.9 TO MP 30.8	C
BG-P3-1034	ALIGNMENT - MP 30.8 TO MP 31.7	C
BG-P3-1035	ALIGNMENT - MP 31.7 TO MP 32.7	C
BG-P3-1036	ALIGNMENT - MP 32.7 TO MP 33.5	B
BG-P3-1037	ALIGNMENT - MP 33.5 TO MP 34.5	B
BG-P3-1038	ALIGNMENT - MP 34.5 TO MP 35.4	C
BG-P3-1039	ALIGNMENT - MP 35.4 TO MP 36.3	C
BG-P3-1040	ALIGNMENT - MP 36.3 TO MP 37.3	B
BG-P3-1041	ALIGNMENT - MP 37.3 TO MP 38.2	D
BG-P3-1042	ALIGNMENT - MP 38.2 TO MP 39.1	D
BG-P3-1043	ALIGNMENT - MP 39.1 TO MP 40.1	C
BG-P3-1044	ALIGNMENT - MP 40.1 TO MP 40.9	C
BG-P3-1045	ALIGNMENT - MP 40.9 TO MP 41.9	B
BG-P3-1046	ALIGNMENT - MP 41.9 TO MP 42.9	C
BG-P3-1047	ALIGNMENT - MP 42.9 TO MP 43.8	C
BG-P3-1048	ALIGNMENT - MP 43.8 TO MP 44.8	C
BG-P3-1049	ALIGNMENT - MP 44.8 TO MP 45.8	C
BG-P3-1050	ALIGNMENT - MP 45.8 TO MP 46.7	C
BG-P3-1051	ALIGNMENT - MP 46.7 TO MP 47.7	D
BG-P3-1052	ALIGNMENT - MP 47.7 TO MP 48.6	C
BG-P3-1053	ALIGNMENT - MP 48.6 TO MP 49.6	C
BG-P3-1054	ALIGNMENT - MP 49.6 TO MP 50.5	C
BG-P3-1055	ALIGNMENT - MP 50.5 TO MP 51.3	B
BG-P3-1056	ALIGNMENT - MP 51.3 TO MP 51.7	C

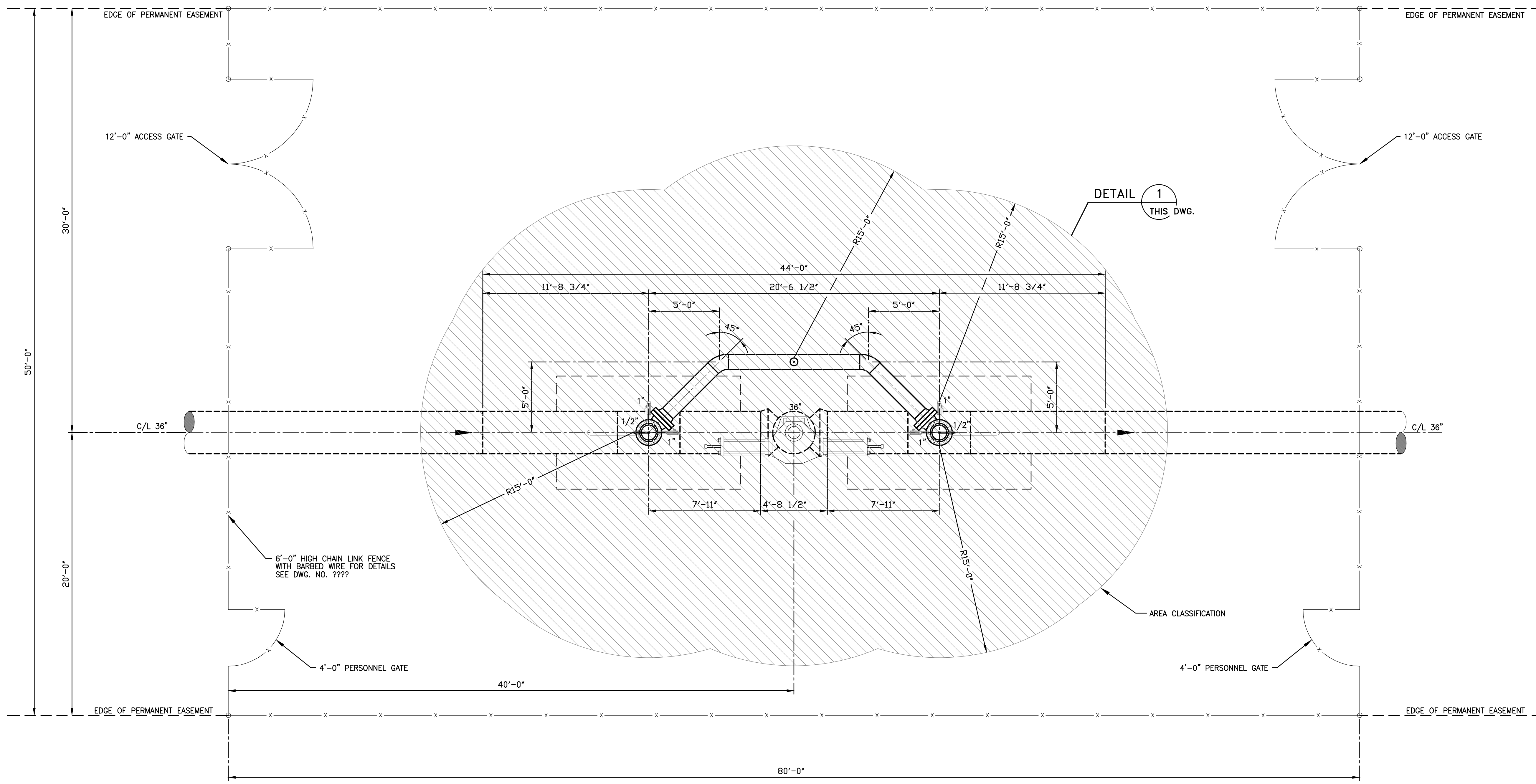
HORIZONTAL DIRECTIONAL DRILLS

DRAWING NUMBER	DRAWING TITLE	REVISION
BG-P4-44	HDD - GOLF COURSE (MP 14.8)	E
BG-P4-45	HDD - OHIO RIVER (MP 15.0)	C
BG-P4-45-BS	HDD - OHIO RIVER (MP 15.0) BACK STRING	B

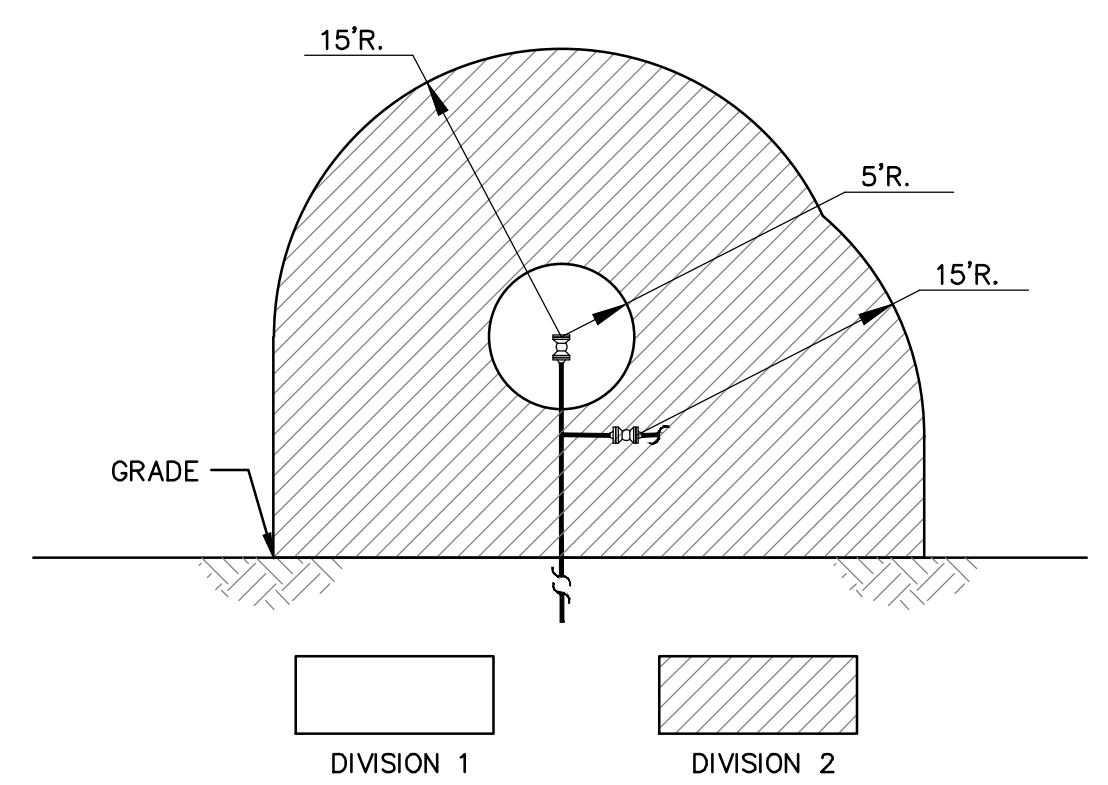
DWG. NO.	REFERENCE DRAWING TITLE	NO.	REVISION - DESCRIPTION	BY	DATE	CHK'D	APP'D
		D	FERC FILING UPDATE	PGP	6-24-15	JHR	JHR
		C	FERC FILING UPDATE	RBR	6-3-15	JHR	JHR
		B	FERC FILING UPDATE	CJD	4-15-15	JHR	JHR
		A	FERC FILING	JRM	1-15-15	JHR	JHR

DWG. STATUS	CHECKED		APPROVED			P.L./STA. NO. ACCOUNT NO.
	BY	DATE	BY	DATE	BY	
PREL'Y						
BID						
CONSTR.						
CADD						

 <p>ROVER PIPELINE An ENERGY TRANSFER Company</p>	<p>ROVER PIPELINE PROJECT 36" BURGETTSTOWN LATERAL - NG PIPELINE DRAWING INDEX MP 0.0 TO MP 51.7 WASHINGTON, PENNSYLVANIA TO CARROL, OHIO</p>	<p>PROJECT NO. 585000000004</p>
	<p>PREVIOUS DWG. NO.</p>	<p>SHEET 1 OF 1</p>
	<p>DWG. NO. BG-P1-0</p>	<p>SHEET 1 OF 1</p>
	<p>SCALE:</p>	



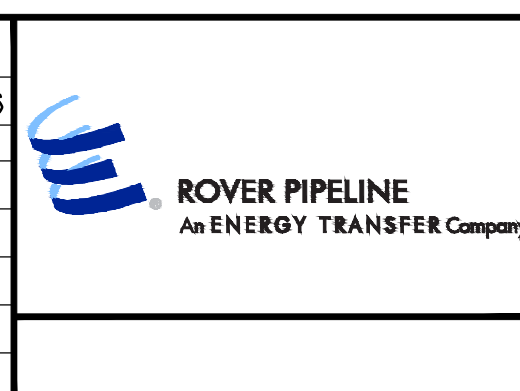
PLOT PLAN
SCALE 1/4"=1'-0"



DETAIL 1
(NOTE 5) THIS DWG.

- NOTES:**
1. MAOP = 1440 PSIG
 2. DESIGN FACTOR = 0.5
 3. DESIGN TEMPERATURE = -34° F TO 120° F
 4. DESIGN CODE = ANSI/ASME B31.8
 5. AREA CLASSIFICATION DETERMINED USING AGA CATALOG # XL1001 FIG. 13 FOR NATURAL GAS.

DWG. NO.	REFERENCE DRAWING TITLE	NO.	REVISION - DESCRIPTION	BY	DATE	CHK'D	APP'D	DWG. STATUS	CHECKED		APPROVED			P.L./STA. NO. ACCOUNT NO.		CONSTRUCTION YEAR	SCALE: AS NOTED
									BY	DATE	BY	DATE	BY	DATE	BY		
		E	FERC FILING	AEN	1-15-15	CRF	JHR	PREL'Y								2016	
		D	ISSUED FOR PROJECT USE	GJB	12-08-14	CRF	JHR										
		C	PRELIMINARY, FOR REVIEW	GJB	11-21-14	CRF	JHR	BID									
		B	FERC DRAFT FILING	DJD	11-5-14	CRF	JHR	CONSTR.									
		A	PRELIMINARY, FOR REVIEW	DJD	10-20-14	CRF	JHR	CADDS									



ROVER PIPELINE PROJECT
36" MAIN LINE VALVE
TYPICAL PLOT PLAN
COUNTY, STATE

PROJECT NO.	
PREVIOUS DWG. NO.	
DWG. NO.	36-PLOT PLAN
SHEET 1 OF 1	